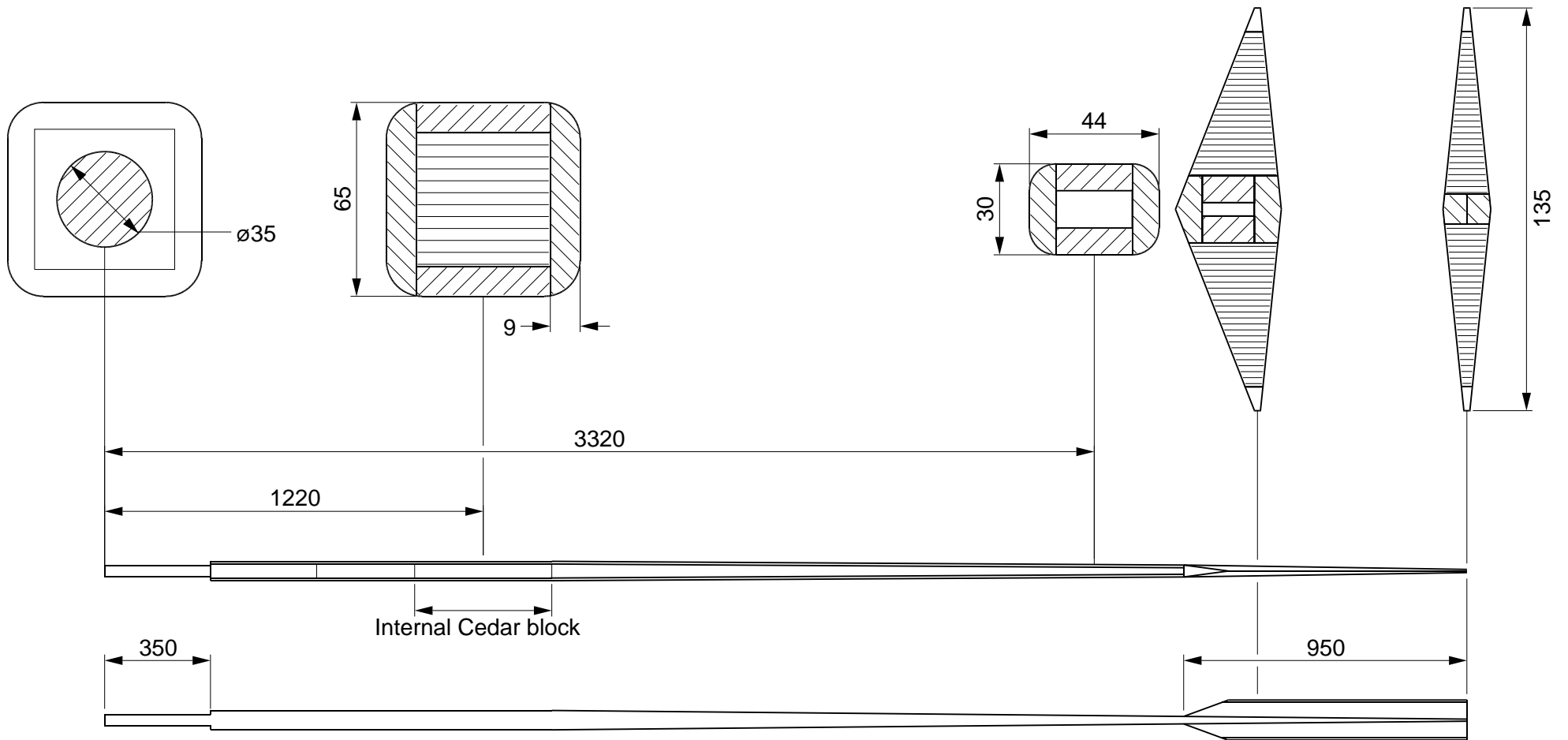


2013 Ullapool 15' Oars



Back of loom: Ash

Front of loom: Douglas Fir or Spruce

Handle: Douglas Fir or Spruce

Top and Bottom / Core of loom: Western Red Cedar

Blades: Western Red Cedar with hardwood edges

Gear ratio 2.75

Weight 5.0 kg

Glue with Resorcinol

Either fit an internal cedar block at the gunwale or build with a solid core

3 firsts at the 2013 worlds

BUT NOT the ultimate oar

improvements e.g. weight reduction and improved blade design possible